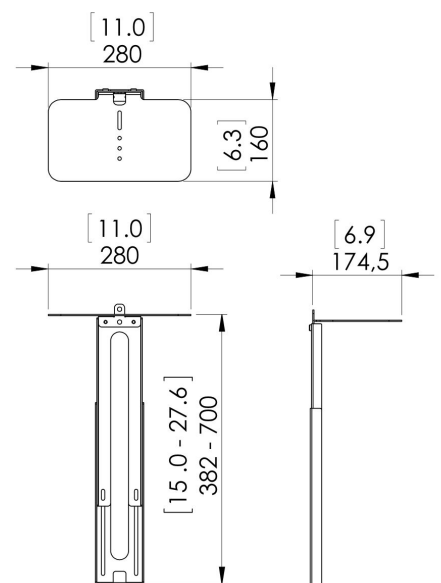


PVA 5070 AV support

With the Vogel's PVA 5070 a video conferencing camera and/or a loudspeaker can be mounted on any Connect-it interface bar. Therefore PVA 5070 can be used for any Connect-it floor, ceiling or wall solution. For example, the PVA 5070 is suitable for all Vogel's video conferencing furniture and Connect-it floorstands and trolleys.





PVA 5070 AV support



Specifications

| | |
|--------------------------------|---------------|
| <i>Article number (SKU)</i> | 7015070 |
| <i>Colour</i> | Black |
| <i>EAN single box</i> | 8712285329104 |
| <i>Height</i> | 382 |
| <i>Depth</i> | 174 |
| <i>Guarantee</i> | 5 years |
| <i>Max. weight load (kg)</i> | 10 |
| <i>Max. screen size (inch)</i> | 90 |
| <i>Min. screen size (inch)</i> | 55 |

VOGEL'S HOLDING BV (c)

All rights reserved.
Subject to printing errors,
technical and price
amendments.

Date: 2022-02-11