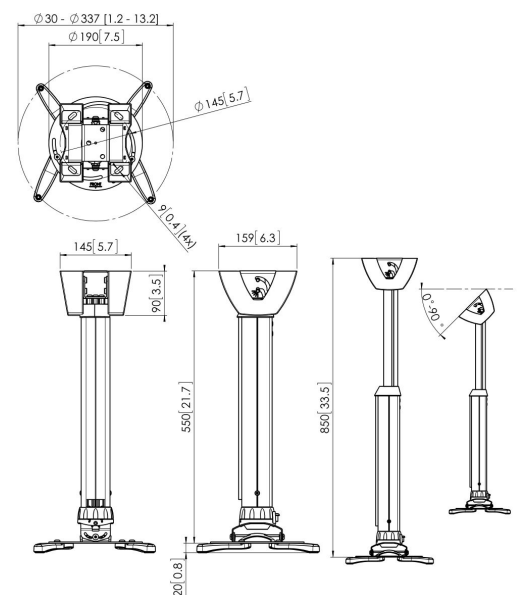




PPC 1555 Projector ceiling mount silver

The PPC 1555 projector mount is specially designed for the latest generation of projectors weighing up to 20 kg. This projector interface is equipped with fine tune adjustability for precise alignment with the projection surface. Once aligned, the projector stays in position. Turning the unique friction ring will eliminate all play from the interface connections, making the mount a solid and very stable solution.





PPC 1555 Projector ceiling mount silver



Specifications

Article number (SKU)	7015554
Colour	Silver
EAN single box	8712285325106
TÜV certified	Yes
Tilt	Tilt up to 15°
Turn	Up to 360°
Guarantee	5 years
Max. weight load (kg)	20
Fischer inside	Yes
Max. distance to ceiling (mm)	850
Min. distance to ceiling (mm)	550
Range (diameter)	30 - 337 mm
Roll	15

VOGEL'S HOLDING BV (c)

All rights reserved.
Subject to printing errors,
technical and price
amendments.

Date: 2021-12-07



Vogel's. For Sure.