



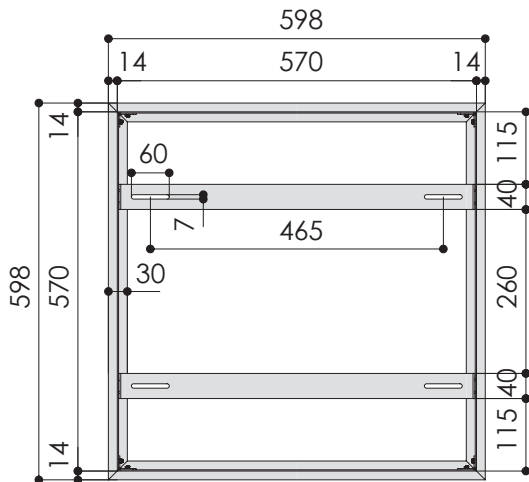
Product data sheet

PPA 901

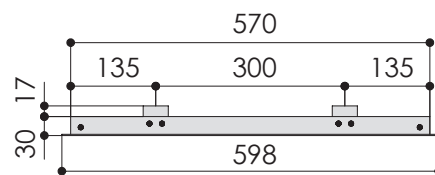
Dimensions in mm

The packaging includes the aluminium white coloured frame (RAL 9010 gloss 75) and the brackets for fixing the threaded rods, which are included with the projector lift. A tile of 560 x 560 mm fits into this ceiling tiles holder.

Top view



Side view



Front view

