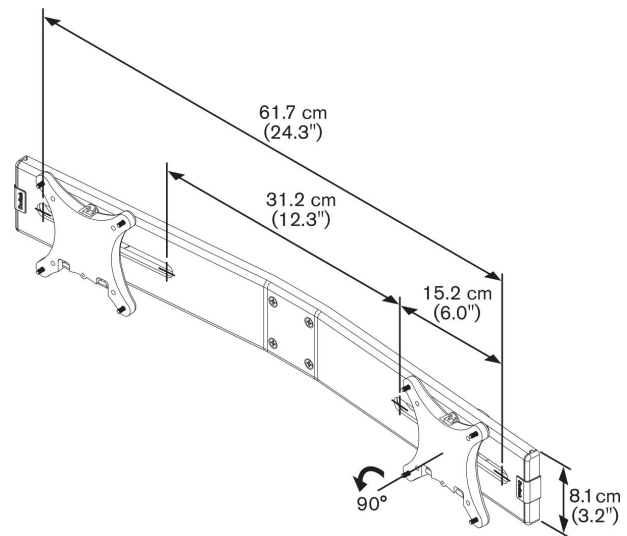


## **PFA 9102 Dual monitor adapter for PFD mounts**

*More and more people are using two monitors at a time. This is very easy to install with the PFA 9102.*





## **PFA 9102 Dual monitor adapter for PFD mounts**

# **Specifications**

<i>Article number (SKU)</i>	7191024
<i>Colour</i>	Silver
<i>EAN single box</i>	8712285318382
<i>Guarantee</i>	10 years
<i>Max. weight load (kg)</i>	12
<i>Max. display width (mm)</i>	580
<i>Max. screen size (inch)</i>	24
<i>Min. screen size (inch)</i>	10

VOGEL'S HOLDING BV (c)

All rights reserved.  
Subject to printing errors,  
technical and price  
amendments.

Date: 2022-02-11