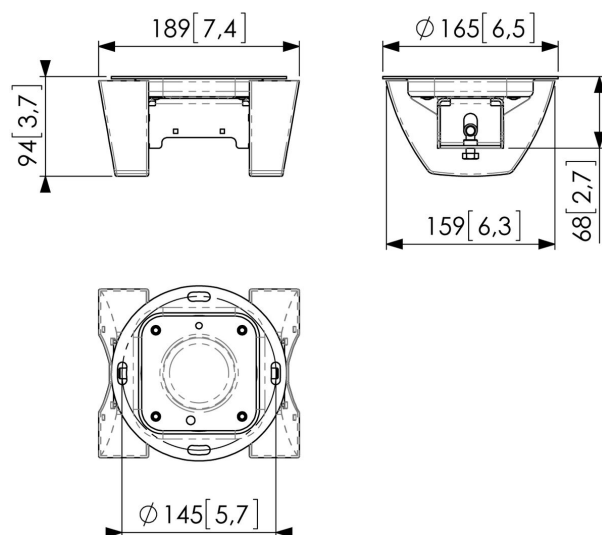




PUC 1065 Ceiling plate turn

The PUC 1065 ceiling plate is part of the modular Connect-it system. You can use this ceiling plate to create a ceiling solution for medium to large-sized displays up to 80kg (160kg back-to-back). This ceiling plate is suitable for flat ceilings and has a unique turning ability to adjust the position of the display.



PUC 1065 Ceiling plate turn



Specifications

<i>Article number (SKU)</i>	7210650
<i>Colour</i>	Black
<i>EAN single box</i>	8712285324123
<i>TÜV certified</i>	Yes
<i>Turn</i>	Up to 360°
<i>Guarantee</i>	5 years
<i>Max. weight load (kg)</i>	80
<i>Ceiling plate options</i>	Flat (turn function)
<i>Ceiling types</i>	Flat ceiling
<i>Height options</i>	Fixed height

VOGEL'S HOLDING BV (c)

All rights reserved.
Subject to printing errors,
technical and price
amendments.

Date: 2022-02-11



Vogel's. For Sure.