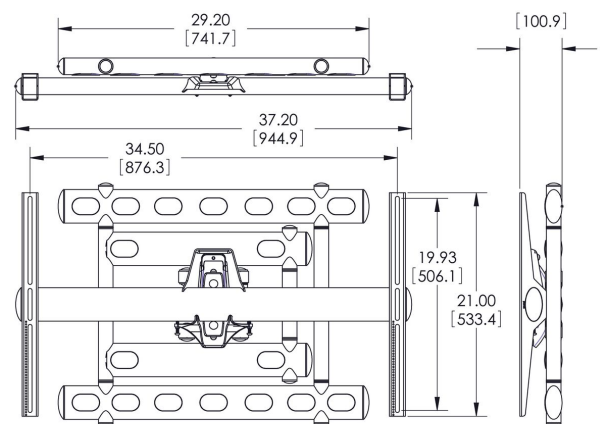
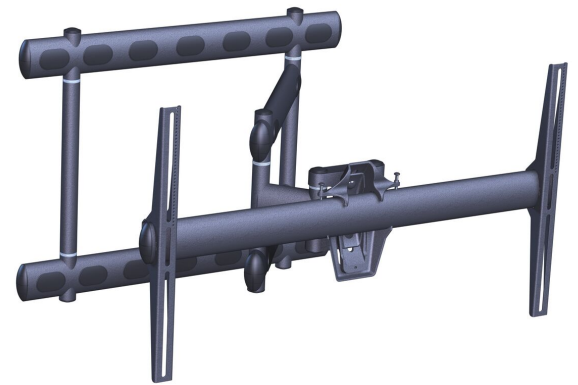
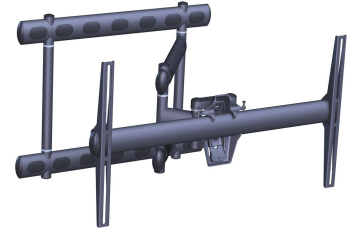




PFW 6852 Display wall mount turn and tilt

This full-articulation swingout mount for flat-panels up to 136 kg / 300 lbs. Typically fits displays larger than 40 inch or displays with a mounting pattern of 225 x 225mm to 985 x 665mm.





PFW 6852 Display wall mount turn and tilt

Specifications

Article number (SKU)	7368520
Colour	Black
EAN single box	8712285323409
Product size	XL
TÜV certified	Yes
Tilt	Tilt -10°/+10°
Turn	Up to 180°
Guarantee	5 years
Min. screen size (inch)	40
Max. screen size (inch)	98
Max. weight load (kg)	136
Min. hole pattern	300mm x 200mm
Max. hole pattern	985mm x 665mm
Max. height of interface (mm)	533
Max. width of interface (mm)	945
Lock options	No lock
Max. distance to the wall (mm)	658
Max. horizontal hole pattern (mm)	985
Max. screen size (inch)	98
Max. vertical hole pattern (mm)	665
Min. distance to the wall (mm)	101
Min. screen size (inch)	40
Number of pivot points	3
Orientation	Landscape
Universal or fixed hole pattern	Universal

VOGEL'S HOLDING BV (c)

All rights reserved.
Subject to printing errors,
technical and price
amendments.

Date: 2022-02-11

