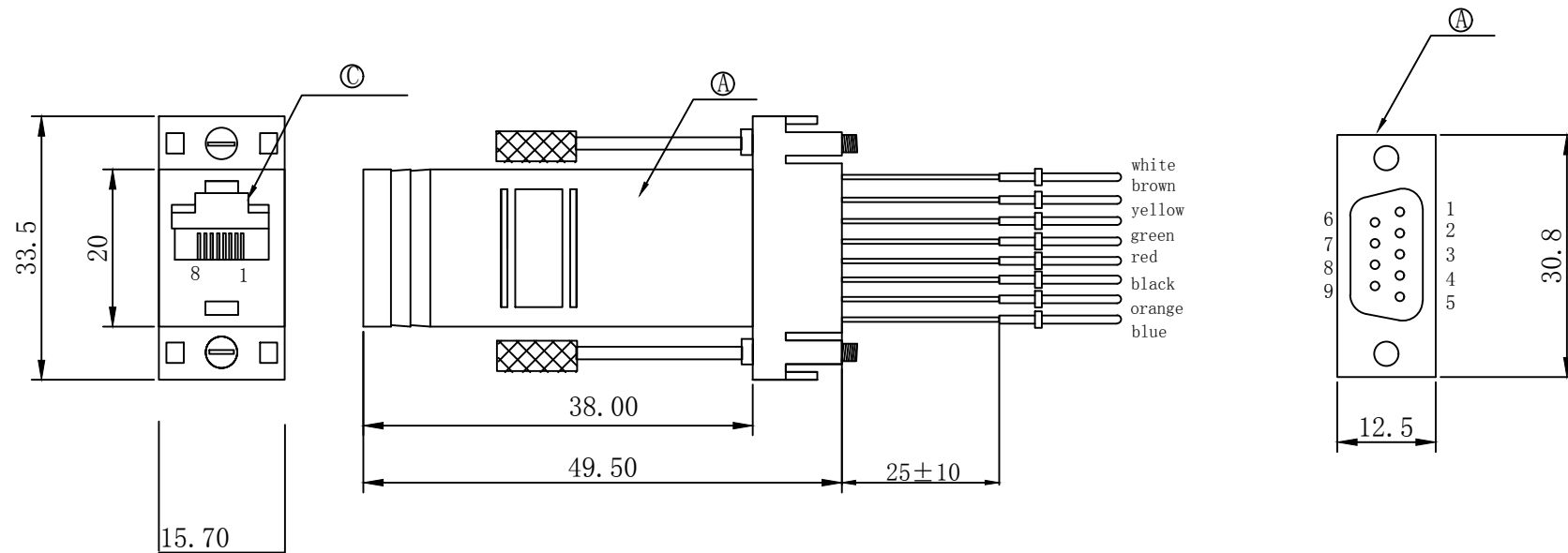


D-Sub Adapter, D-Sub 9-Pin Plug to RJ45 Socket



PIN ASSIGNMENT

white	_____	8
brown	_____	7
yellow	_____	6
green	_____	5
red	_____	4
black	_____	3
orange	_____	2
blue	_____	1

NOTES:

ELECTRICAL CHARACTER:

- 100% OPEN&SHORTTESTING.
- ROHS and REACH COMPLIANT.
- Where the tolerance is not indicated, the tolerance is +/- 0.2
- connector connection method: soldering.
- THIS PRODUCT INCLUDED THE RAW MATERIAL:

PE - ABS - PVC - Gold-plated copper
nickel plated Iron shell

NO	ITEM	DESCRIPTION	COMPONENT
C	CONNECTOR 2	RJ45 Female	
B	CONNECTOR 1	DB9 Male	
A	HOUSING	ABS,color:Ivory	

Art. Nr.

RND 205-00938