

Eve Plus wall base POE

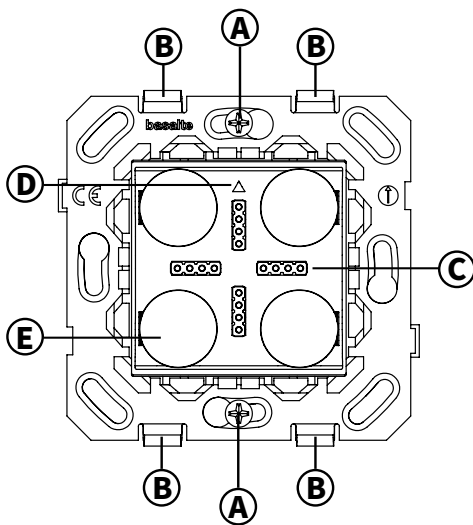
Installation Manual

Safety instructions

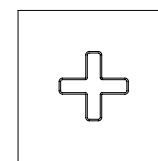
Before installing the unit, read this manual thoroughly and retain it for future reference.
The device should be installed in compliance with official regulations valid in country of use.
The device may only be installed and connected by qualified electricians.
Ensure that electricity is switched off when installing or unmounting the device.
Do not open, dismantle, alter or modify the device.

Components

Wall base PoE 0130-03



Eve Plus cover (not included)



Model No. 0131-CC

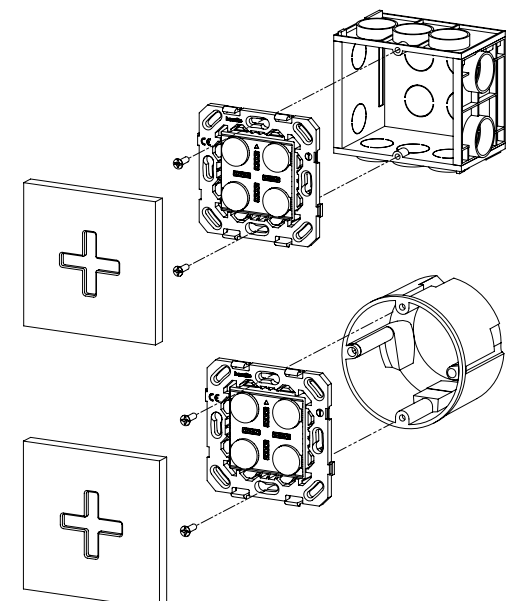
- A Opening to fix the outlet to the wall box
- B Clips to mount the cover plate
- C Charging connector for Eve Plus sleeve
- D This sign up
- E Alligning magnets
- F 48 V PoE IEEE 802.3af connector

Wall boxes

The wall base should be installed in European wall boxes with screws. The distance between the screws needs to be 60mm, and a minimal depth of 45 mm is required. Depending on the type RJ45 connector used, additional depth might be required. Square wall boxes size 60 x 60 mm are compatible with the sockets. Round wall boxes should have an inner diameter of 64mm or more.

The following round wall boxes are compatible with the Basalte sockets:

- Helia round with cut hole 68 mm (type 247, 261).
- Kaiser round with cut hole 68 mm (type 9063-xx, 9064-xx, 9062-xx).
- Legrand batibox round (ref 080051, 080061, 080052, 080053).
- ABB round Hafobox MD4050 and hollow wall boxes HW-50, HW50-G, HW52-F (Except HW52-F IGD and HW52-F BW).



When using other round boxes, please verify the compatibility upfront.


Do not use following wall boxes:

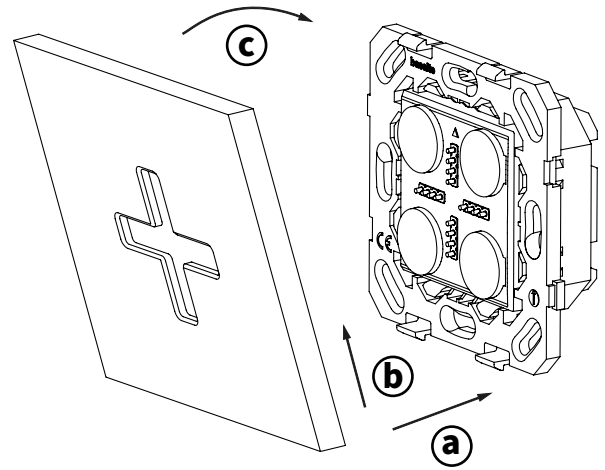
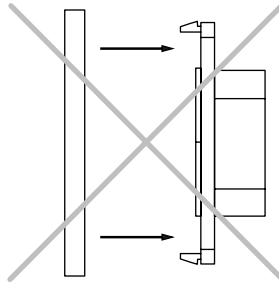
- Helia O-range
- Kaiser (1055-xx – 1056-xx)
- ABB 3040
- ABB HW52-F IGD and HW52-F BW

Installation instructions

1. Use a standard European back box with screws. The distance between the screws needs to be 60 mm. The required depth is 45 mm, although additional depth should be reserved for connecting the cables.
2. Connect the RJ45 connector to an ethernet cable connected to a PoE switch or PoE injector.
3. Fix the wall base to the wall box with 2 screws using the holes on vertical axis.
4. Mount the cover using the clips (see drawing below).


- A** Place the frame over the lower clips
B Push the frame upwards and tilt towards the wall
C Attach the frame over the top clips

 Pushing the frame straight into the clips without pushing upwards and lifting, might damage the wall base.

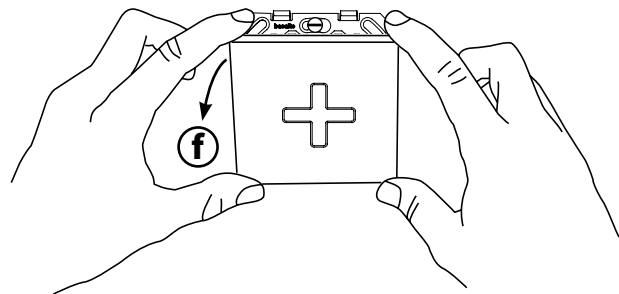
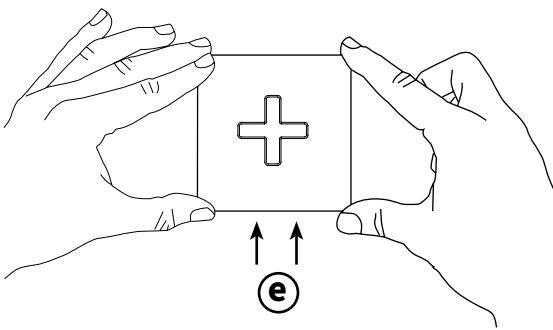


Cabling

Use at least an ethernet cable Cat 5.

 The Eve plus wall base POE will only provide charging power to the sleeve. If you want to provide a data connection use the Eve plus wall base USB (0130-02) in combination with the Eve (plus) gigabit PoE adapter (0610-20).

How to remove the socket front cover (see drawing below)



- E** Push the frame upwards
F Tilt the frame away from the wall

Technical data

PoE standard: 48 V PoE IEEE 802.3af

Consumption: Input power 15 W

Operating temperature: 0°C - + 35°C

 **Eve Plus does not support always-on display configuration.**