

## Disclaimer

This guide is for informational purposes only. A qualified & licenced electrician is recommended for the installation of the Flooder Camera.

## About the Guide

- All designs and software mentioned here are subject to change without prior written notice.
- All trademarks and registered trademarks mentioned are the properties of their respective owners.
- Please visit our website or contact your local installer for more information.

# Camera Installation

## WARNING

### Risk of electrical shock.

- Be sure to disconnect the power at the fuse or circuit breaker before installation.
- Verify that the supplied voltage is correct. Connect the Flooder camera to a 100 ~240VAC 50/60 Hz power source.
- Properly ground the Flooder camera.

- We strongly suggest you hire a licensed electrician to install the camera.

### Risk of fire.

- Do not connect near combustible or flammable surfaces.

### Note

- Do not connect the Flooder camera to a dimmer switch or timer.

### Step 1

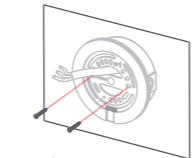
With power off at the breaker, remove the existing floodlight from the junction box. Disconnect the existing wires and inspect the surfaces to ensure a water tight seal.

### Step 2

Install the mounting plate:

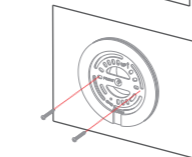
#### With junction box

Place the mounting plate to the junction box.



#### Without junction box

Install the mounting plate to the middle of the opening with the provided mounting hardware.



### Note

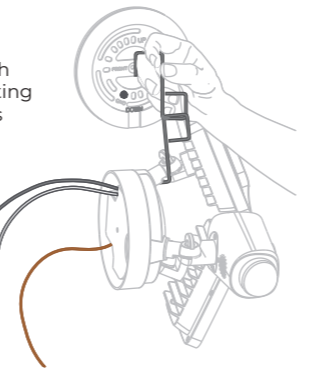
- If there is a mounting plate attached to your junction box, remove before installation.
- If you do not have an existing junction box, you will need to hire a licnsed electrician to install one. Also be sure to comply with your local codes.

### Step 3

Turn the adjustment knobs to loosen the Flooder lights. Adjust the light to access the mounting screw.

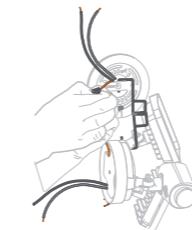
### Step 4

Use the installation hook to attach the Flooder camera to the mounting plate. This will free up both hands during the installation.



### Step 5

Connect the bare copper wire from the Flooder camera to the existing ground wire using the supplied wire nuts.

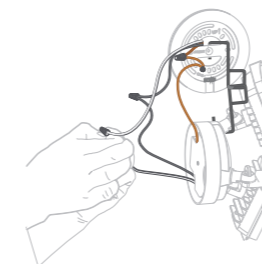


### Step 6

Connect the power wires.

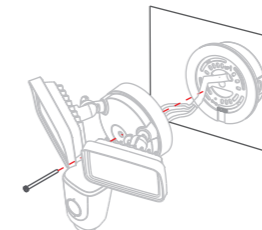
The white wire from the Flooder camera is the neutral wire. Connect this wire to the existing neutral wire.

The black wire from the Flooder camera is the hot wire. Connect this wire to the reserved hot wire.



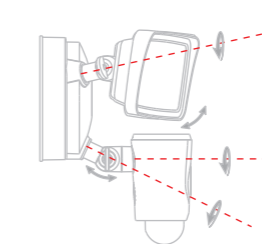
### Step 7

When all wires are securely fastened, mount the Flooder camera to the mounting plate using the provided mounting screw.



### Step 8

Adjust the light and lens angles. Be sure and keep the PIR Motion Sensor parallel to the ground to ensure optimal detection.



# Using the Dash App

### Step 1

Power on the Flooder camera.

### Step 2

Download the Dash App from Google Play or App Store.

**Note** If the App has been previously installed be sure it is up to date.

### Step 3

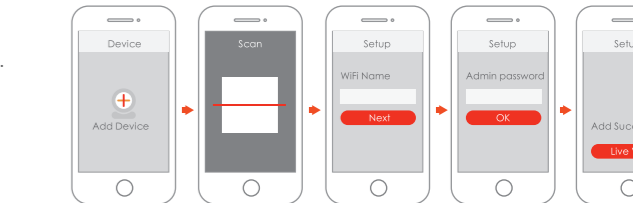
Open the Dash App, and register a new account.

### Step 4

When the Flooder camera has completely powered on, the indicator light will flash green.

### Step 5

Connect your smart phone to your 2.4 GHz Wi-Fi network, and then follow the steps below to finish adding the Flooder.



### Note

- Repeat step 5 to add multiple Flooder cameras.
- If the Flooder camera Wi-Fi adoption fails, factory reset the camera and repeat step 5.

# DASH

# FLOODER

## Quick Start Guide

Version 1.0.0

### What's in the Box



Floodlight Camera x1



Mounting Plate x1



Mounting Hardware x1



Quick Start Guide x1



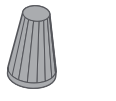
Installation Hook x1



Mounting Screw x1

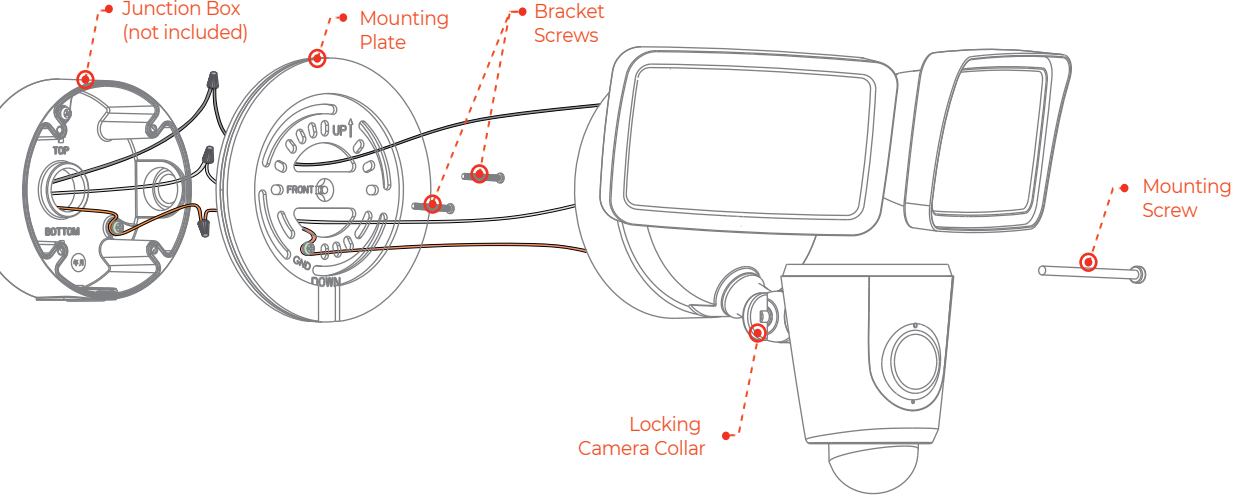


Bracket Screws x4



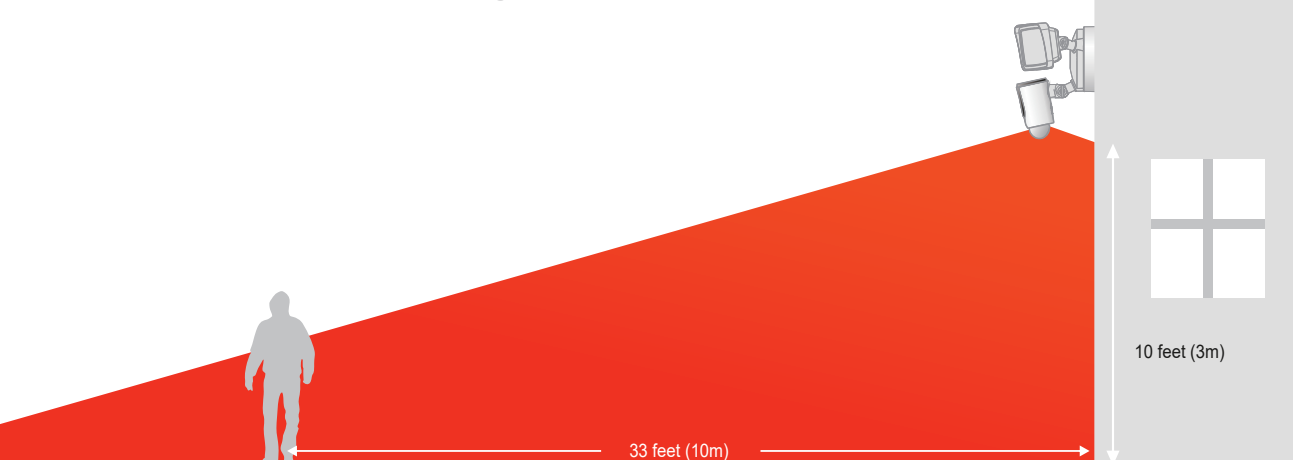
Wire Nuts x3

### Assembly

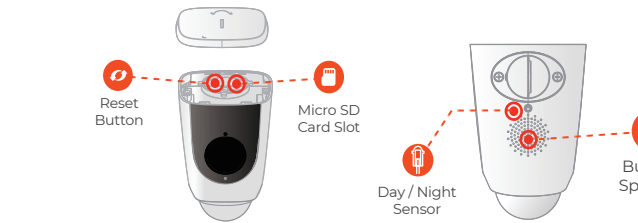
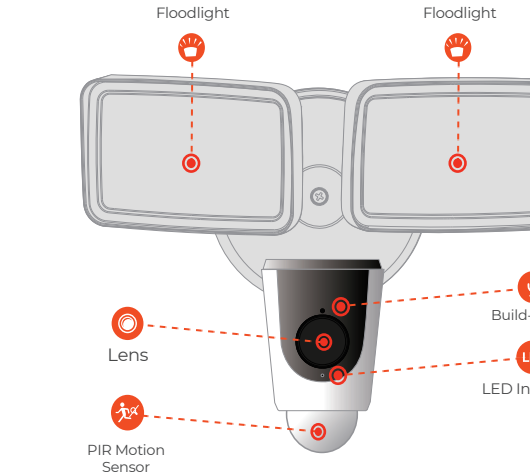


### Application

With the Floodlight Camera installed at 10 feet (3m) from the ground, the PIR motion sensor is capable of detecting humans up to 33 feet (10m). For consistent detection, the PIR motion sensor should be parallel with the ground.



### Know your Floodlight



LED Indicator Status	Device Status
Off	- Floodlight is powered off - Rebooting after reset
Red light on	- Powering on - Device malfunction
Green light flashing	- Waiting for network
Green light on	- Operating properly
Red light flashing	- Network connection failure
Green and Red light flashing	- Firmware update in progress

**Note:** If a camera reset is needed, press and hold the reset button for 10 seconds.