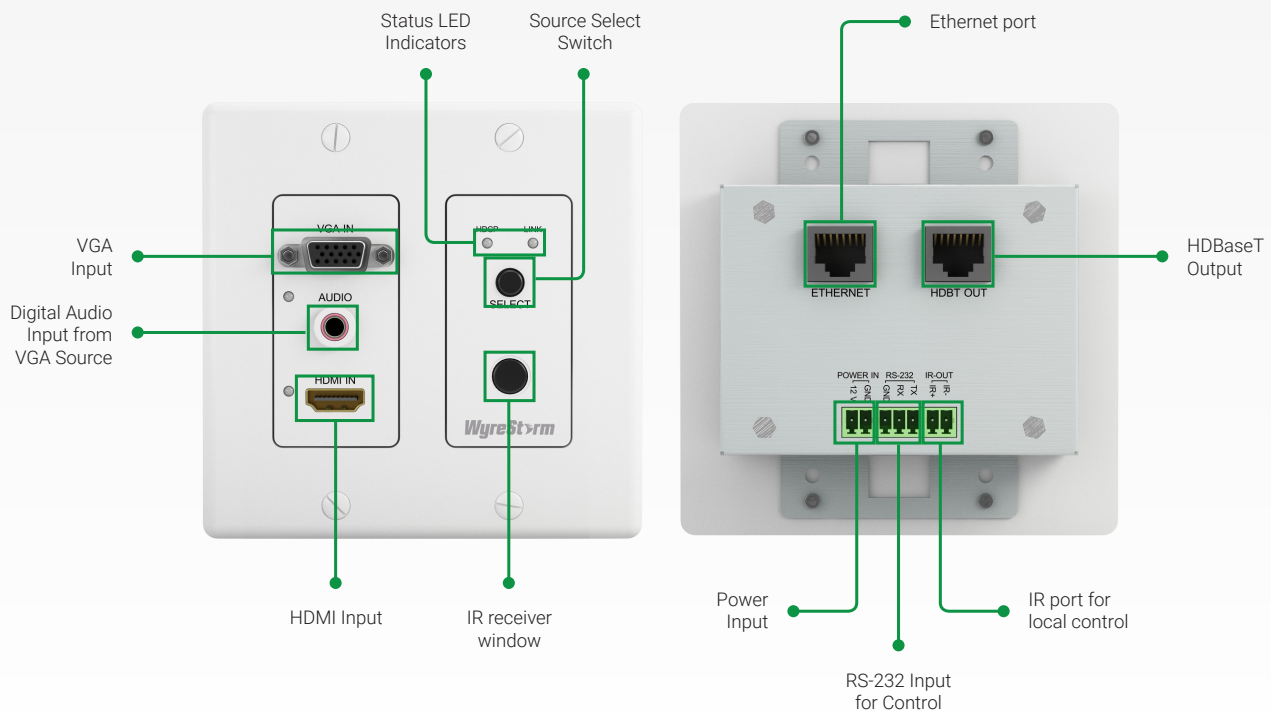


HDBaseT™ 4K UHD 2-Gang In-Wall Transmitter with VGA and HDMI Auto-Switching (4K: 70m/230ft | 1080p: 100m/328ft)

TX-SW-IW-0201

WyreStorm

Specification Sheet



4K UHD | HDBT™ | HDMI | HDCP 2.2 | PoH

WyreStorm - Because the Technology Matters.

Introduction

The TX-SW-IW-0201 is a PoH compatible HDBaseT™ transmitter supporting HDMI and VGA+audio within a decora 2-Gang wall box that offers feature-rich 4K and HD distribution over distance while blending seamlessly with the surrounding décor.

Key Features

- 2:1 HDMI and VGA with audio auto-switching of 4K and HD signals from a 2 Gang US Decora wall plate
- Follows first in, last out rule
- Capable of reliable HDMI transmission over distance using single Cat5e/6 cable using HDBaseT™ transmission technology
- 70m/230ft: 3840x2160@30Hz / 24bit True Color with Chroma subsampling color palette 4K@30Hz 4:4:4
- 100m/328ft: 1920x1080p HD video@60Hz / 48bit Deep Color
- Class A HDBaseT™ compliance supporting the transmission of video, multichannel audio, Ethernet, bidirectional IR control and PoH
- Power locally or by remotely via PoH
- 1-way PoH enables unit to be powered remotely from a compatible WyreStorm HDBaseT™ receivers with PSE (Power Supply Equipment) function
- Built-in IR receiver window for easy TV/projector control
- EDID management
- Automatic input detection (HDMI preferred)
- HDCP 2.2 compatible
- Bidirectional IR supported with built-in IR receiver window for easy TV/projector control
- Supports Ethernet pass-through
- Full 3D up to 1080p@60Hz
- LED indication for HDCP presence within signal and transmission link between devices
- Conforms to IEEE-568B standards
- Compact design for convenient and unobtrusive installation

In the Box

1x TX-SW-IW-0201 HDBaseT Wall Plate Transmitter
1x 3-pin Screw-down Phoenix Connector
2x 2-pin Screw-down Phoenix Connector

1x Decorative Wall Plate
4x 6-32x20mm Installation Screws
1x Quickstart guide

Specifications

| Audio and Video | | | | | |
|--------------------------------|--|------------|-------------|-------------|----------------|
| Inputs | 1x HDMI 19-pin type A 1x VGA In 15-pin VGA VESA (D-SUB 15) 1x Audio In 3.5mm (1/8in) Stereo Jack | | | | |
| Outputs | 1x HDBaseT 8-pin RJ-45 female | | | | |
| Audio Formats | 2ch PCM Up to 7.1 DTS Master HD and Dolby True HD | | | | |
| Video Resolutions (Max) | Resolution | VGA | HDMI | Cat6 | Cat6a/7 |
| | 1920x1080p @60Hz 12bit | 7m/23ft | 15m/49ft | 100m/328ft | 100m/328ft |
| | 1920x1080p @60Hz 16bit | N/A | 7m/23ft | 70m/230ft | 100m/328ft |
| | 1920x1200p @60Hz 8bit | 7m/23ft | 15m/49ft | 100m/328ft | 100m/328ft |
| | 3840x2160p @30Hz 4:4:4 8bit | N/A | 7m/23ft | 70m/230ft | 100m/328ft |
| 4096x2160p @24Hz 4:2:0 8bit | N/A | 7m/23ft | 70m/230ft | 100m/328ft | |
| Supported Standards | DCI RGB | | | | |
| Maximum Pixel Clock | 297MHz | | | | |
| Communication and Control | | | | | |
| HDMI | HDCP 2.2 EDID DVI/D supported with adapter (not included) | | | | |
| HDBaseT | HDCP 2.2 EDID 1-way PoH (RX to TX) Bidirectional IR, RS-232, and Ethernet | | | | |
| Ethernet | 1x Ethernet: 8-pin RJ-45 Female Bidirectional over HDBaseT | | | | |
| IR | 1x IR Out 2-pin Screw Down Phoenix Connector Bidirectional over HDBaseT | | | | |
| RS-232 | 1x 3-pin Screw Down Phoenix Connector Bidirectional over HDBaseT | | | | |
| Power | | | | | |
| Power Supply | 12V DC 1A | | | | |
| PoH | 48V 15.4W | | | | |
| Max Power Consumption | 3.4W | | | | |
| Environmental | | | | | |
| Operating Temperature | 32°F ~ 113°F (0°C ~ 45°C) 10% ~ 90%, non-condensing | | | | |
| Storage Temperature | -4°F to ~ 158°F (-20°C ~ +70°C) 10% ~ 90%, non-condensing | | | | |
| Maximum BTU | 11.6 BTU/hr | | | | |
| Dimensions and Weight | | | | | |
| Rack Units Wall Box | 2-gang | | | | |
| Height | 108mm/4.26in | | | | |
| Width | 106.7mm/4.21in | | | | |
| Depth | 25mm/0.99in | | | | |
| Weight | 0.19kg/0.42lbs | | | | |
| Regulatory | | | | | |
| Safety and Emission | CE FCC RoHS | | | | |

Right Product for the Right Application.

