

# ST660 / ST660-S ST660P / ST660P-S

## SmartMount® Universal Tilt Wall Mount for 37" to 63" Flat Panel Displays

The ST660 delivers enhanced display compatibility, accommodating large flat panel displays including those with VESA® 800 x 400mm mounting hole pattern. Its open wall plate architecture delivers placement flexibility and increased electrical and cable management access. Unique pre-tensioned universal tilt display adapters provide easy viewing angle adjustment completing the perfect flat panel installation.



Display size: 37"-63"



Max load: 200lb (90kg)

### FEATURES

- Universal mount fits displays with mounting patterns up to 832 x 449mm (32.75" W x 17.67" H)
- Increased screen compatibility includes VESA® 800 x 400mm mounting hole pattern
- Open wall plate architecture allows for total wall access, increasing electrical access and cable management options
- Adjustable up to 15° of forward tilt and -5° backward tilt for optimal viewing angle
- Pre-tensioned universal tilt display adapters allow for tilt adjustment without the use of tools
- Easy-grip lever locks the display position into place
- Optional IncreLok™ feature offers fixed tilt angles of -5°, 0°, 5°, 10°, 15°
- Horizontal display adjustment of up to 8" (203mm) (depending on display model) for perfect display placement
- Universal display adapters easily hook onto wall plate for fast installation
- Mounts to wood studs, concrete, cinder block or metal studs (metal stud accessory required)
- Comes with Peerless' Sorted-for-You™ fastener pack with all necessary display attachment hardware
- Integrated security options available
- UL listed

#### OPEN ARCHITECTURE

Open wall plate architecture for flexible cable management and wall placement

#### INCRELOK™

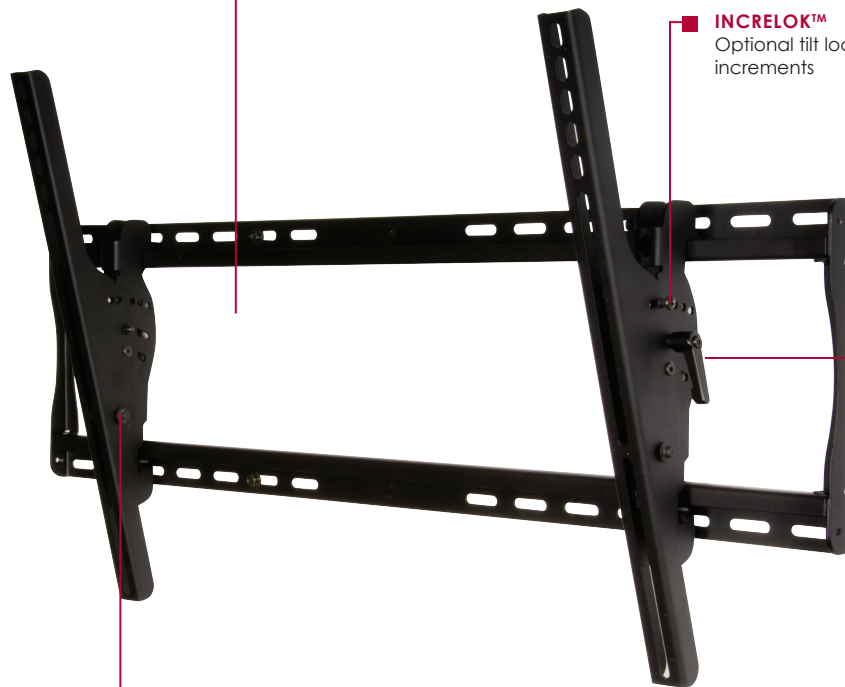
Optional tilt lock at 5° increments

#### DISPLAY ANGLE ADJUSTMENT

Easy-grip lever locks tilt angle into place without the use of tools

#### IDEAL VIEWING ANGLE

Pre-tensioned tilt mechanism allows for quick and easy tilt adjustment



Adjustable +15/-5° tilt



<b>ST660(-S)</b>	Universal Tilt Wall Mount for 37" to 63" Flat Panel Displays - security models
<b>ST660P(-S)</b>	Universal Tilt Wall Mount for 37" to 63" Flat Panel Displays - standard models

Product Specifications

	<b>DIMENSIONS (W x H x D)</b>	<b>PRODUCT WEIGHT</b>	<b>LOAD CAPACITY</b>	<b>FINISH</b>	<b>AVAILABLE COLORS</b>
<b>ST660(P)(-S)</b>	36.87" x 18.5" x 2.63"-5.71" (936 x 470 x 67-145mm)	8.28lb (3.75kg)	200lb (90kg)	Scratch resistant fused epoxy	ST660(P): Black ST660(P)-S: Silver

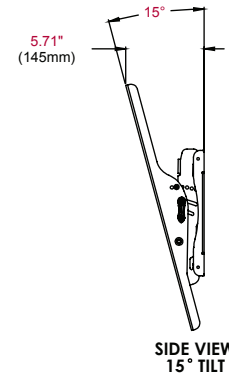
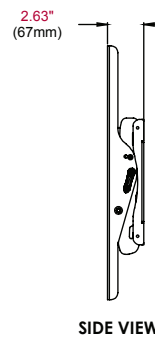
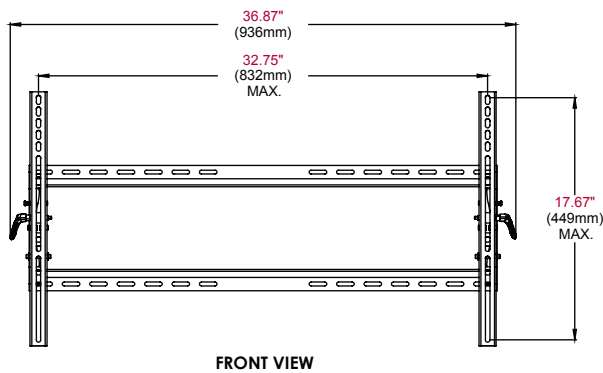
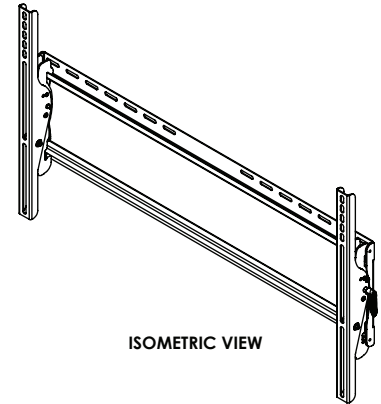
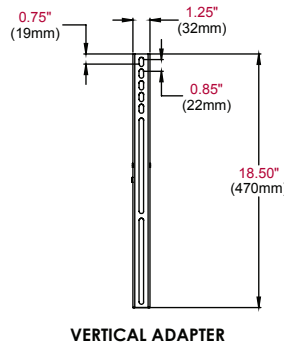
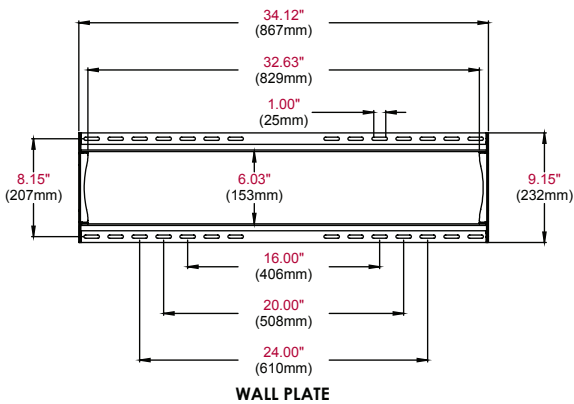
Package Specifications

	<b>PACKAGE SIZE (W x H x D)</b>	<b>PACKAGE SHIP WEIGHT</b>	<b>PACKAGE UPC CODE</b>	<b>PACKAGE CONTENTS</b>	<b>UNITS IN PACKAGE</b>
<b>ST660(P)(-S)</b>	35.25" x 10.06" x 3.50" (895 x 256 x 89mm)	10.9lb (4.94kg)	ST660: 735029235606 ST660-S: 735029231875 ST660P: 735029235613 ST660P-S: 735029231882	Wall plate, universal display adapters, mounting and display attachment hardware	1

Accessories

<b>ACC415:</b>	4-pack Metal Stud Fastener Kit
<b>ACC309:</b>	Video Conference Shelf

All dimensions = inch (mm)



**ARCHITECTS SPECIFICATIONS**

The Smartmount® Universal Tilt Wall Mount shall be a Peerless-AV model ST660 and shall be located where indicated on the plans. It shall be constructed of heavy gauge cold rolled steel and finished with scratch resistant Black or Silver Fused Epoxy. Assembly and installation shall be done according to instructions provided by the manufacturer.