

SF640 / SF640-S  
SF640P / SF640P-S

# SmartMount® Universal Flat Wall Mount for 23" to 46" Flat Panel Screens

Limitless placement opportunities are delivered with speed and ease. Its ultra-slim open wall plate architecture delivers screen placement flexibility and enables easy electrical access and cable management. This ultra-slim mount is the ultimate solution for low-profile applications.



## FEATURES

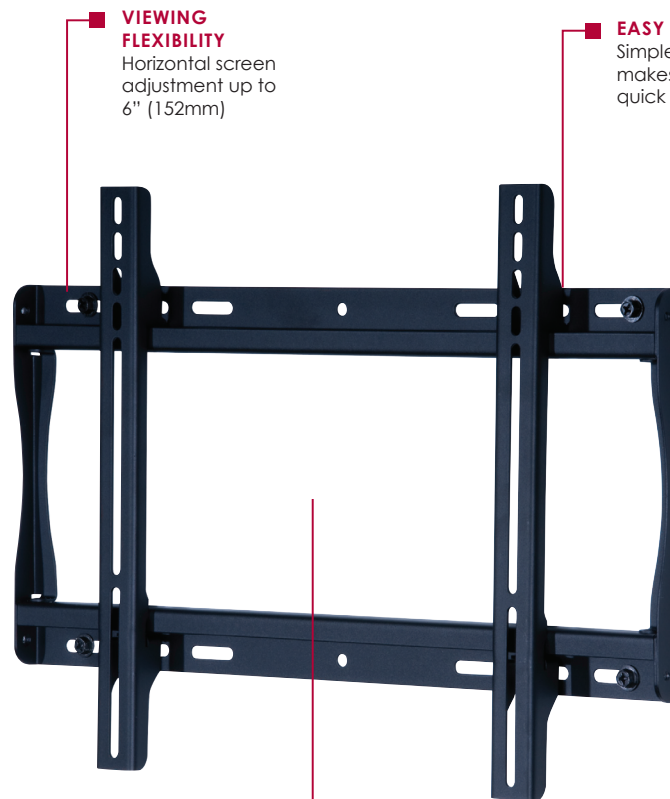
- Universal mount fits screens with mounting patterns up to 17.73" W x 12.94" H (450 x 328mm)
- Open wall plate architecture allows for total wall access, increasing electrical access and cable management options
- Low-profile design holds screen only 1.2" (30mm) from the wall for a low-profile application
- Horizontal screen adjustment of up to 6" (152mm) (depending on screen model) for perfect screen placement
- Universal brackets easily hook onto wall plate for fast installation
- Mounts to wood studs, concrete, cinder block or metal studs (metal stud accessory required)
- Comes with Peerless' Sorted-for-You™ fastener pack with all necessary screen attachment hardware
- Integrated security options available
- UL listed



Screen size: 23"-46"



Max load: 150lb (68kg)



■ **VIEWING FLEXIBILITY**  
Horizontal screen adjustment up to 6" (152mm)

■ **EASY INSTALLATION**  
Simple hook-on design makes installation safe, quick and easy

■ **OPEN ARCHITECTURE**  
Open wall plate architecture for flexible cable management and wall placement



Low-profile design holds screen only 1.2" (30mm) from the wall



# Model Numbers

**WARRANTY: Limited 5-year**

**SF640(-S)**  
**SF640P(-S)**

Universal Flat Wall Mount for 23" to 46" Flat Panel Screens - security models  
Universal Flat Wall Mount for 23" to 46" Flat Panel Screens - standard models

## Product Specifications

	DIMENSIONS (W x H x D)	PRODUCT WEIGHT	LOAD CAPACITY	FINISH	AVAILABLE COLORS
<b>SF640(P)(-S)</b>	19.37" x 13.75" x 1.2" (492 x 349 x 30mm)	3.5lb (1.6kg)	150lb (68kg)	Scratch resistant fused epoxy	SF640(P): Black SF640(P)-S: Silver

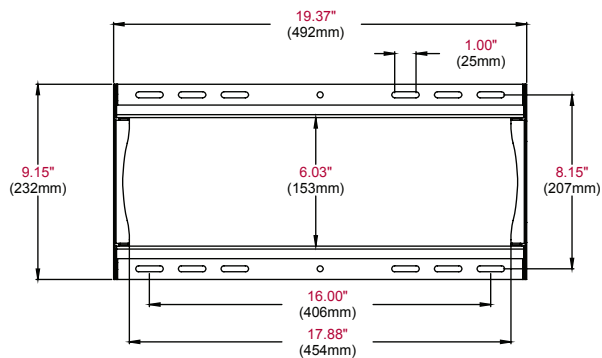
## Package Specifications

	PACKAGE SIZE (W x H x D)	PACKAGE SHIP WEIGHT	PACKAGE UPC CODE	PACKAGE CONTENTS	UNITS IN PACKAGE
<b>SF640(P)(-S)</b>	20.37" x 10.06" x 3.5" (518 x 256 x 89mm)	5.7lb (2.58kg)	SF640: 735029235651 SF640-S: 735029235675 SF640P: 735029235668 SF640P-S: 735029235682	Wall plate, universal brackets, mounting and screen attachment hardware	1

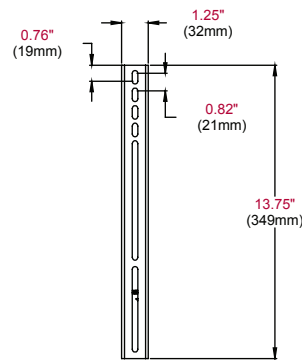
## Accessories

**ACC415:** 4-pack Metal Stud Fastener Kit  
**ACC309:** Video Conference Shelf

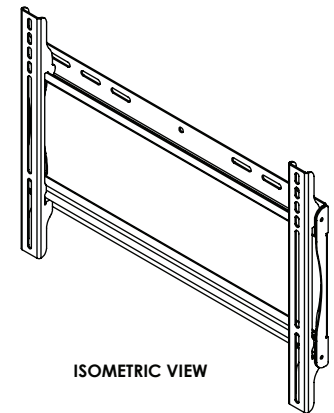
All dimensions = inch (mm)



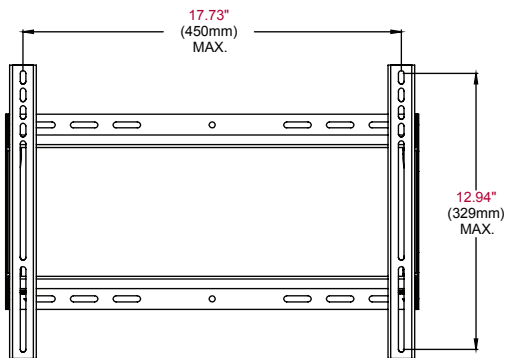
WALL PLATE



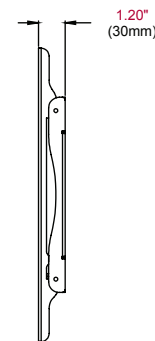
VERTICAL ADAPTER



ISOMETRIC VIEW



FRONT VIEW



SIDE VIEW

## ARCHITECTS SPECIFICATIONS

The Smartmount® Universal Flat Wall Mount shall be a Peerless model SF640 and shall be located where indicated on the plans. It shall be constructed of heavy gauge cold rolled steel and finished with scratch resistant Black or Silver Fused Epoxy. Assembly and installation shall be done according to instructions provided by the manufacturer.