

# SUF660P

## Universal Ultra Slim Flat Wall Mount For 37" to 65" Ultra-thin Flat Panel Displays\*

One of the world's slimmest mounts at only 0.33" (8mm) thin, this near-invisible mount is the beauty that supports the modern style of the latest ultra-thin flat panel displays. Its all-steel, clean-line, high-gloss modeling features universal compatibility with virtually any ultra-thin flat panel display innovation. This unmatched solution delivers space-saving, ultra-sleek looks and brings the display ultra-close to the wall.



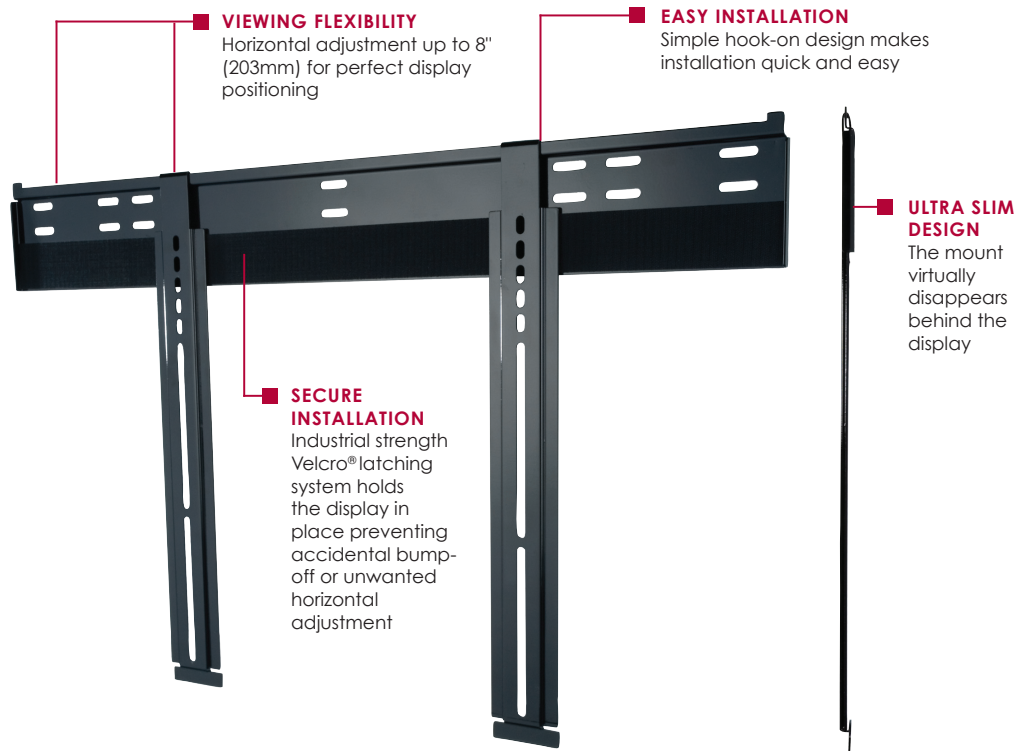
Display size: 37"-65"



Max load: 150lb (68kg)

### FEATURES

- Ultra-thin design holds display only 0.33" (8mm) from the wall for a near-invisible application
- Universal mount compatible with ultra-thin displays with mounting patterns up to 825 x 449mm (32.48" W x 17.67" H)
- Universal brackets easily hook onto wall plate for an easy installation
- Industrial-strength Velcro® latching system secures display adapters to wall plate in a single step, making installation fast and secure
- Horizontal adjustment of up to 8" (203mm) (depending on display model) for perfect display placement
- Mounts to wood studs, concrete, cinder block or metal studs (metal stud accessory required)
- Comes with Peerless-AV Sorted-for-You™ fastener pack with all necessary display attachment hardware



\* Designed exclusively for use with ultra-thin displays 2" (50.8mm) deep or less



Easy hook-on design



Specially designed safety tabs for secure support



<b>SUF660P:</b>	Universal Ultra Slim Flat Wall Mount for 37" to 65" Ultra-thin Flat Panel Displays
-----------------	------------------------------------------------------------------------------------

Product Specifications

	DIMENSIONS (W x H x D)	PRODUCT WEIGHT	LOAD CAPACITY	FINISH	AVAILABLE COLORS
<b>SUF660P</b>	35.44" x 21.8" x .33" (900 x 554 x 8mm)	7.1lb (3.2kg)	150lb (68kg)	Scratch resistant fused epoxy	Gloss Black

Package Specifications

	PACKAGE SIZE (W x H x D)	PACKAGE SHIP WEIGHT	PACKAGE UPC CODE	PACKAGE CONTENTS	UNITS IN PACKAGE
<b>SUF660P</b>	37.06" x 2.375" x 6.313" (941 x 60 x 160mm)	7.8lb (3.6kg)	735029258377	Wall plate, universal display adapters, mounting and display attachment hardware	1

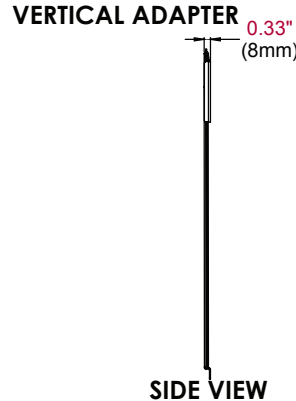
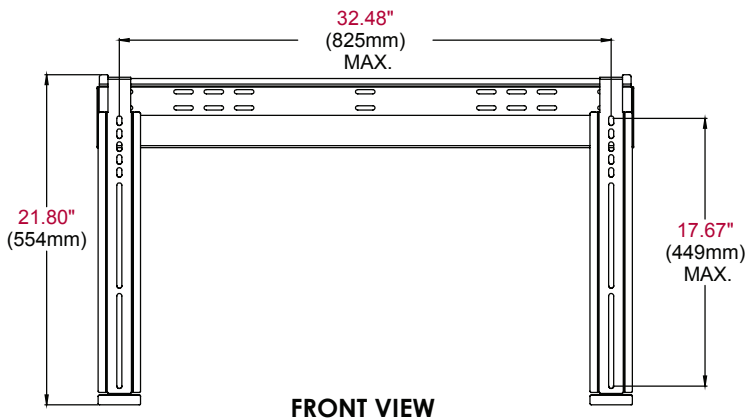
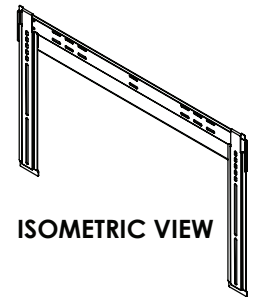
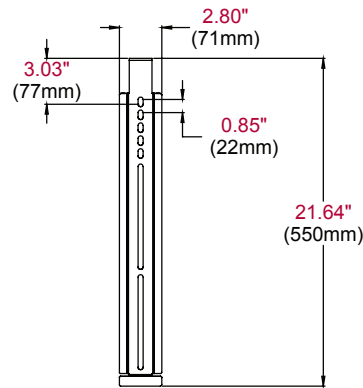
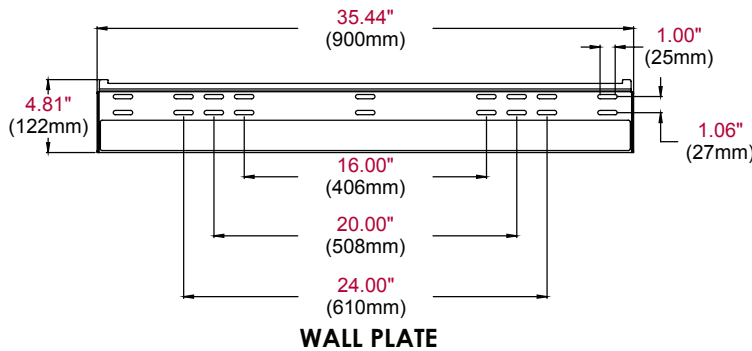
Accessories

<b>ACC615:</b>	Metal Stud Accessory Pack
----------------	---------------------------

**NOTE: Display Compatibility Requirements**  
Designed exclusively for use with ultra-thin displays 2" (50.8mm) deep or less

All dimensions = inch (mm)

- The display does not require any additional heat ventilation room than 0.33" (8mm). Please refer to the manufacturer's requirements for mounting your display on the wall.
- The display must have a flat mounting surface, or the mounting holes need to be on the furthest back surface of the display.
- Input/Output connection must be properly orientated to accommodate mounting 0.33" (8mm) from the wall.



ARCHITECTS SPECIFICATIONS

The Ultra-Thin Universal Flat Wall Mount shall be a Peerless-AV model \_\_\_\_\_ and shall be located where indicated on the plans. It shall be constructed of cold rolled steel and feature scratch resistant gloss black fused epoxy finish. Assembly and installation shall be done according to instructions provided