



MODEL L-23s



FOR UP TO 32" TV

- Lift Extends 58.4 cm Upwards
- TV Maximum Screen Size: 32"
- TV Maximum Height: 55.9 cm
- Maximum Weight: 59 kg

Compact and quiet, Model L-23s is the perfect choice to conceal small screens and monitors. With slim dimensions and manual swivel function, this lift is used in homes, classrooms and luxury vehicles around the world. It includes a wireless remote, wired backup controls and optional smart home integration kit, providing limitless flexibility for installation and control.

- Slim Design
- Universal Mounting Patterns
- Near Silent Operation
- Popular for Offices, Kitchens, Vehicles and Hotel Applications



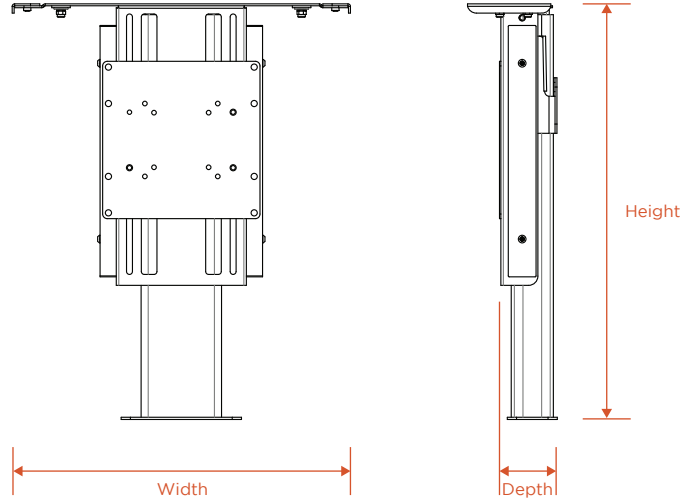
All Nexus products are shipped in custom-made protective packaging, and they include everything you need to mount and operate them. The products are designed for easy assembly and simple instructions with photos are included.

MODEL L-23s



TECHNICAL SPECIFICATIONS

- 59 kg total lift capacity
- TV maximum screen size: 32"
- 360-degree manual swivel mechanism built-in (swivel function is operated manually)
- Travels 58.4 cm
- No exposed tracks, gears or scissors
- Accommodates standard VESA Mounts: 75mm x 75mm, 100mm x 100mm, 200mm x 100mm, 200mm x 200mm
- Optional TV mount sizes are VESA standard 300mm x 300mm or 400mm x 200mm
- UL recognized
- Draws 3.5 Amps @ 110V and 1.75 Amps @ 220V at max thrust
- Speed 4.3 cm / sec. (only 13 seconds to fully raise)
- Quiet - runs at just 45 dB
- Chain-driven mechanism
- Steel construction
- Your choice of RF remote or Control System Integration Kit (CSI Kit includes IR remote and contact closure interface)
- Exclusive Nexus 21 Safety Package included
- "Soft Start" and "Soft Stop" for smooth ride
- Power is Available in These Formats:
USA, 110V / Europe, 230V / Japan, 100V
Australia, 240V / UK, 230V



Height: 57.2 cm
Width: 46.5 cm
Depth: 7.9 cm from back wall to rear of TV



WHAT'S IN THE BOX

- Motorized lift column (the motorized unit is pre-assembled and ready to use)
- Manual swivel mechanism with electronic safety switch
- Heavy duty monitor hanger with universal mounting pattern
- Top plate with finger safety
- Base plate and upper back mounting bracket
- Control box with power cord
- Remote control and receiver (your choice of RF or CSI Kit*)
- Backup control switch
- Cord control wrap
- All hardware for assembly and mounting
- Full assembly instructions with photos

CONTROL OPTIONS

Your choice of RF remote or Control System Integration Kit (CSI Kit*). Wired button pad included with both.



*CSI Kit includes IR remote and contact closure interface

SWIVEL VERSION

360-degree manual swivel mechanism built-in. Mounting bracket for floating lid with built-in finger safety system included.

