

# MODEL L-50en

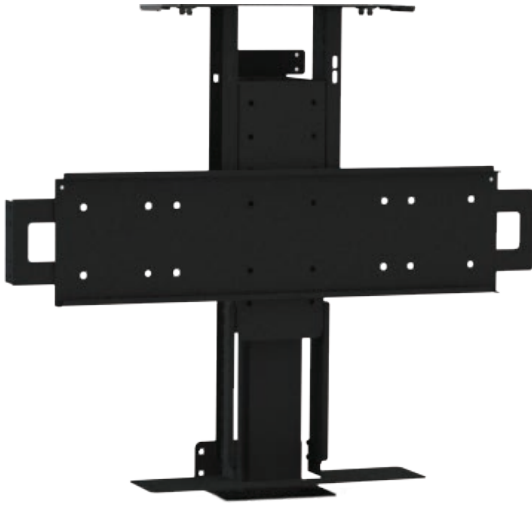
## POP-UP ENCLOSURE TV LIFT

For Up to 60" TV

TV Maximum Screen Size \_\_\_\_\_ 60"  
Maximum Weight \_\_\_\_\_ 45.4 kg

Model L-50en makes it easier than ever to place an enclosure around the television, shielding the screen from the elements, while seamlessly integrating it into the decor of the space. Commonly called the Enclosure Lift, this lift and bracket system will hide anything from a 48" TV at the foot of your bed, to a 60" TV in a half wall (enclosure itself is not provided).

- Near Silent Operation
- Easy to Install
- Remote Control Included
- Popular in Applications Where Back of TV is Exposed

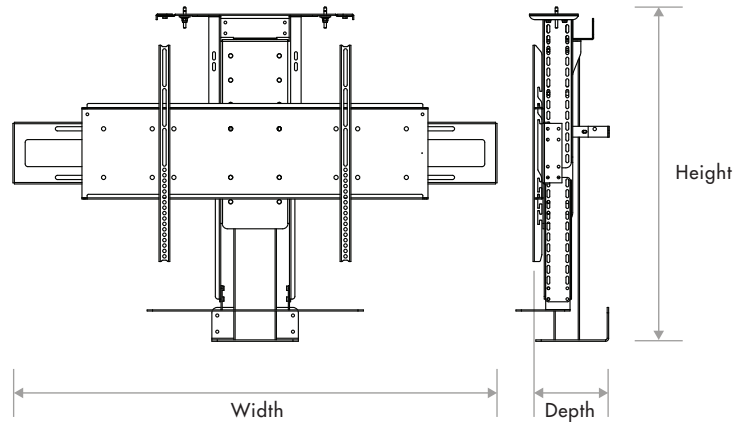


Nexus 21 solutions come complete with everything required for assembly and installation. Motorized systems are covered by a 10-year warranty and all products are backed by our world-class product support team.

# MODEL L-50en

## TECHNICAL SPECIFICATIONS

- 45.4 kg total lift capacity
- TV maximum screen size: 60"
- Travels 99.7 cm
- No exposed tracks, gears or scissors
- Draws 3.5 Amps @ 110V and 1.75 Amps @ 220V at max thrust
- Speed 3.9 cm / sec. (only 25 seconds to fully raise)
- Quiet - runs at just 45 dB
- Screw-driven mechanism
- Steel construction
- Your choice of RF remote or Control System Integration Kit (CSI Kit includes IR remote and contact closure interface)
- Exclusive Nexus 21 Safety Package included
- "Soft Start" and "Soft Stop" for smooth ride
- Power is available in these formats: USA, 110V / Europe, 230V / Japan, 100V / Australia, 240V / UK, 230V



Height: 79.4 cm Min / 102.9 cm Max  
*Adjustable in .6 cm increments*  
Width: 95.9 cm Min / 138.8 cm Max  
Depth: 18.1 cm from back wall to back of TV

## WHAT'S IN THE BOX

- Motorized lift column (the motorized unit is pre-assembled and ready to use)
- Heavy duty screen support with universal TV mounting plate
- Height adjustable top supports
- Universal mounting brackets for TV enclosure (enclosure itself is not provided)
- Top plate with adjustable extensions and finger safety
- Upper and lower back mounting brackets
- Control box with power cord
- Remote control and receiver (your choice of RF or CSI Kit\*)
- Backup control switch
- Cord control wrap
- All hardware for assembly and mounting
- Full assembly instructions with photos

## CONTROL OPTIONS

Your choice of RF remote or Control System Integration Kit (CSI Kit\*). Wired button pad included with both.



\*CSI Kit includes IR remote and contact closure interface

## MOUNTING BRACKET FOR FLOATING LID

Mounting bracket for floating lid (our standard option), with built-in finger safety system is included.

