

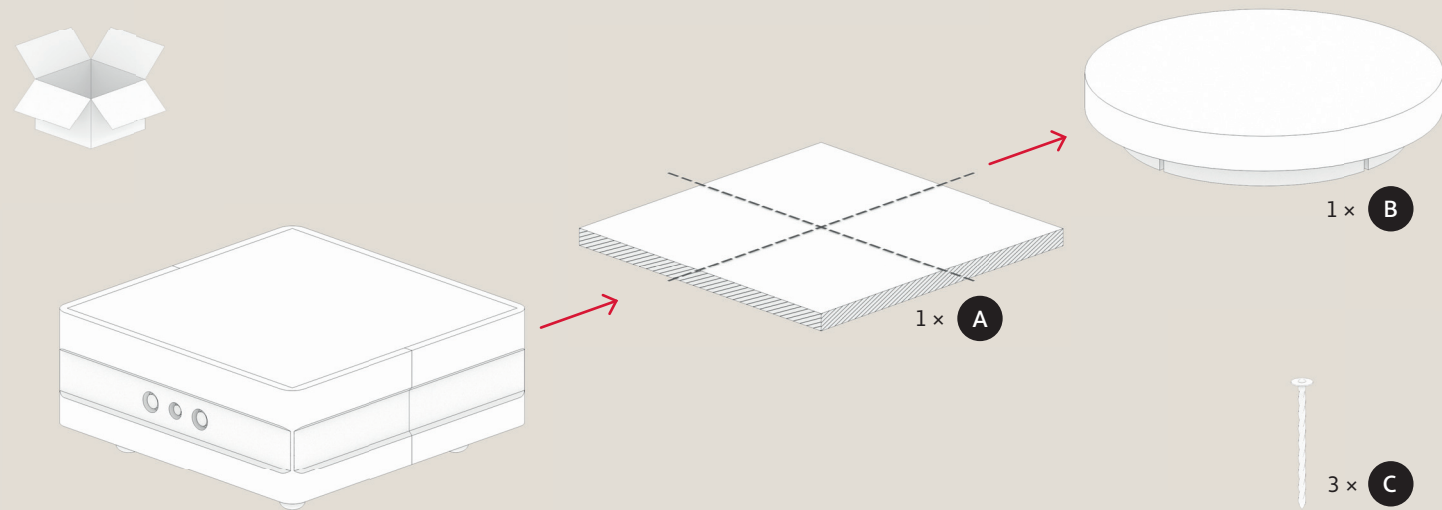


# euroboxx series

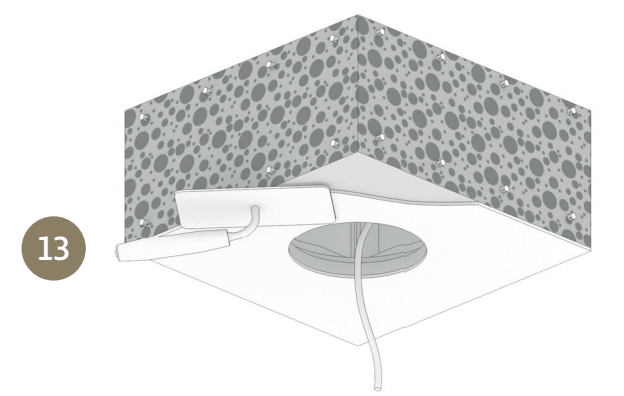
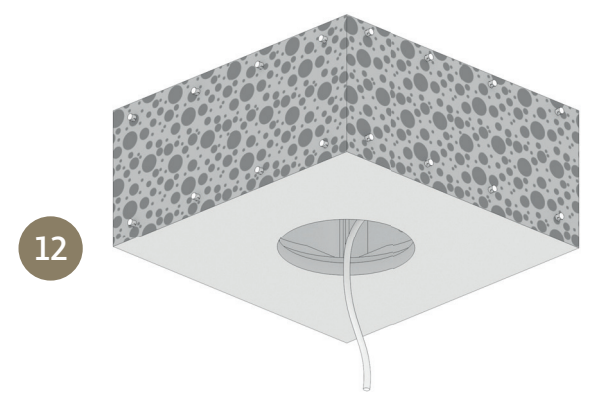
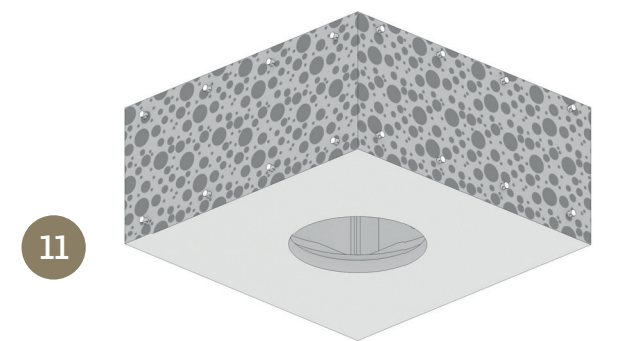
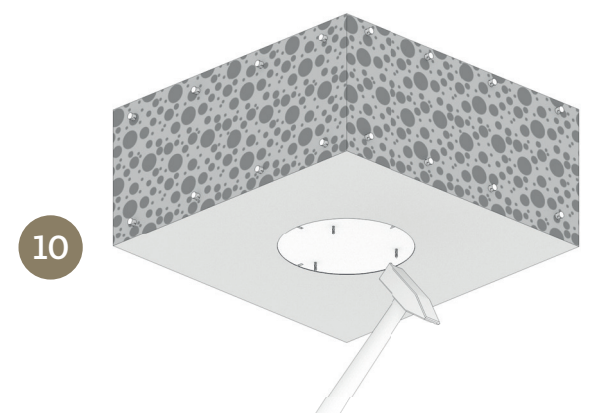
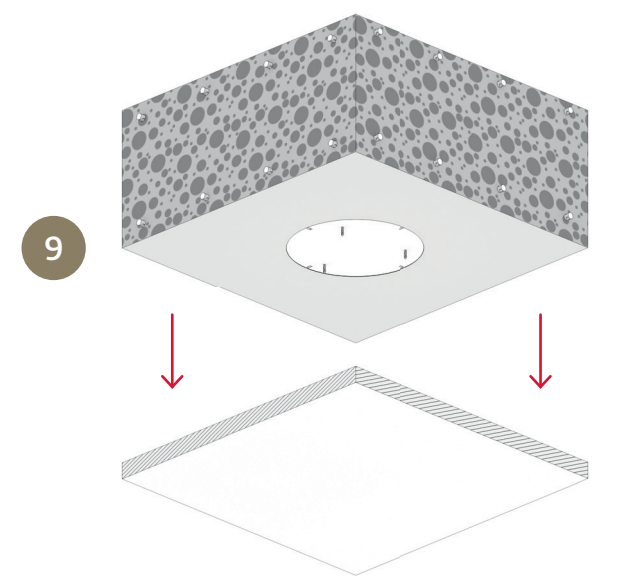
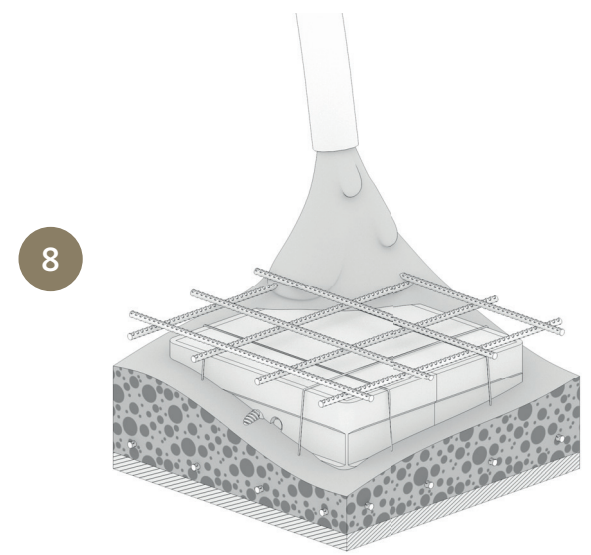
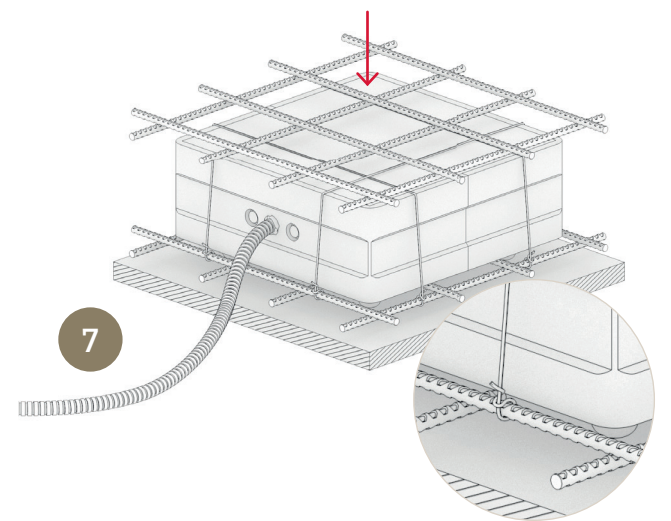
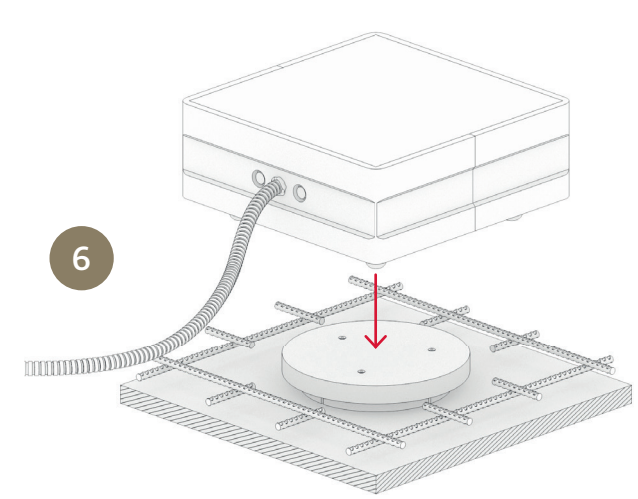
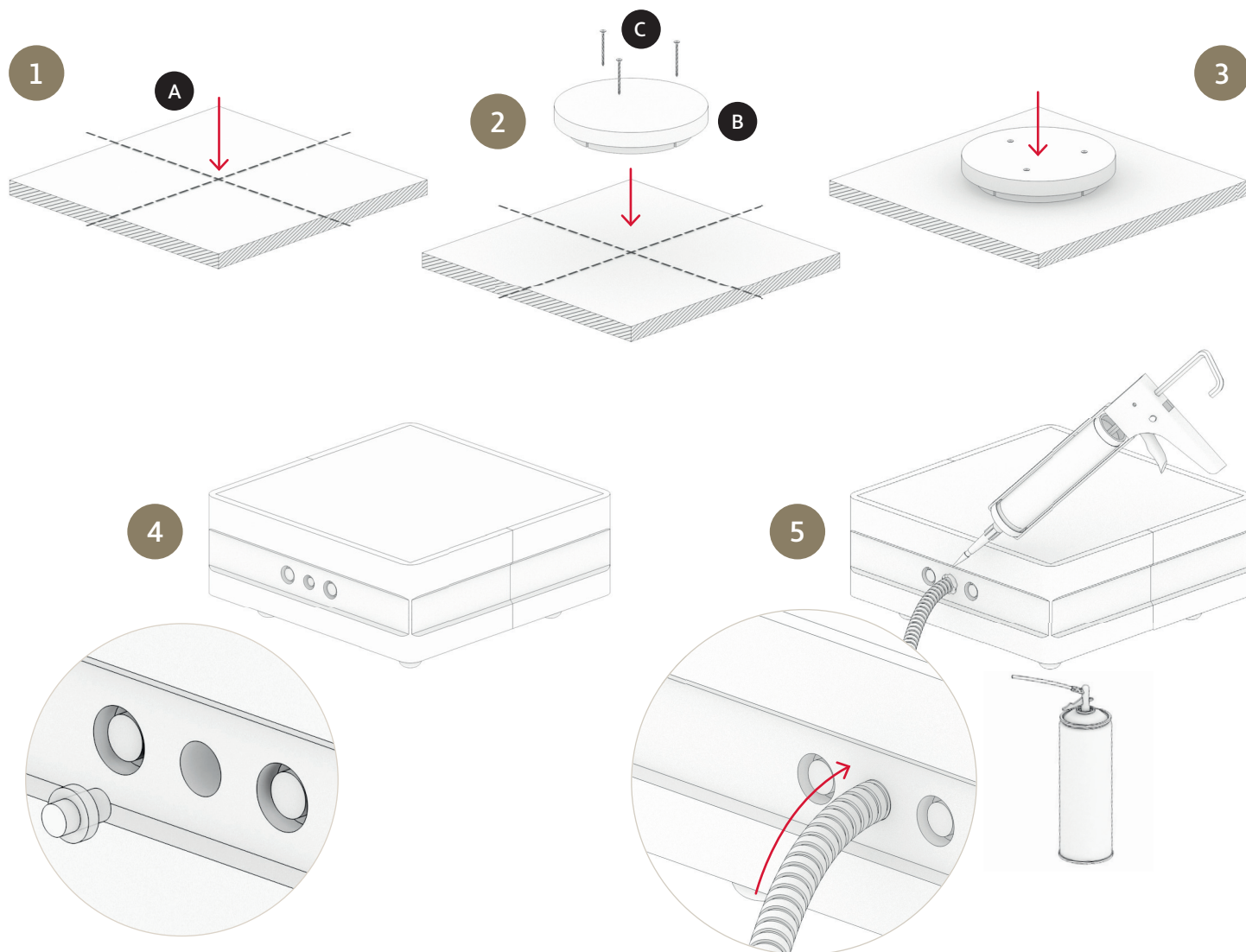
2. Generation

Installation Instructions / Montageanleitung

# Package Content / Paketinhalt



# Installation Instructions / Montageanleitung





**b-sound** GmbH  
Buchelirainstrasse 2  
9400 Rorschach  
Switzerland

Phone +41 71 450 03 34  
Mail [info@b-sound.ch](mailto:info@b-sound.ch)  
Web [www.b-sound.ch](http://www.b-sound.ch)

**b-sound** GmbH  
Weiherstrasse 11  
9400 Rorschach  
Switzerland

Phone +41 71 450 03 34  
Mail [info@b-sound.ch](mailto:info@b-sound.ch)  
Web [www.b-sound.ch](http://www.b-sound.ch)

**Copyright & Trademarks:**

All b-sound products are protected under copyright- and trademark law.

All copyright and other rights to content within this document such as pictures and photos are held exclusively by the aforementioned company or the specifically named copyright holder. No elements may be reproduced without the prior written consent of the copyright holder.

**Layout and Design:** CMPLT Design, [cmplt.com](http://cmplt.com)

**[www.b-sound.ch](http://www.b-sound.ch)**