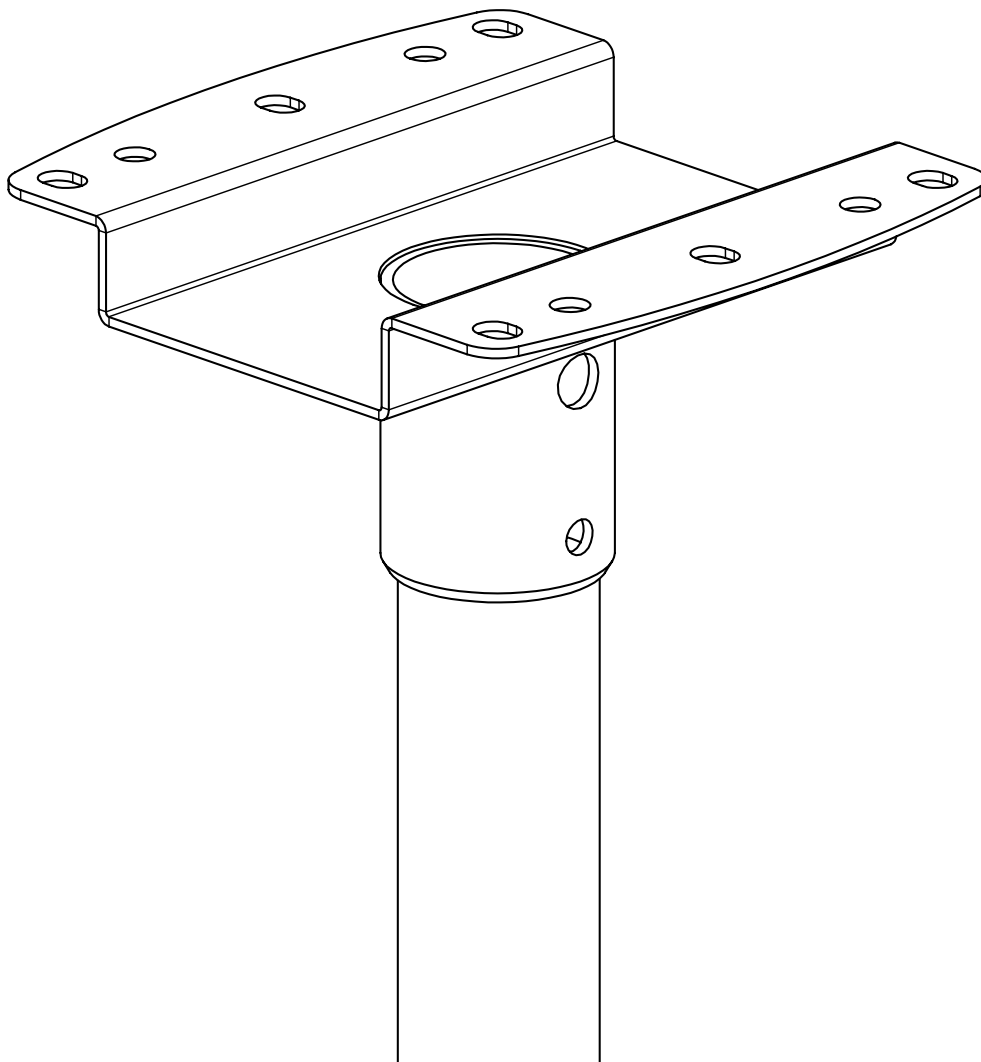




Installation and Assembly: Modular Series Heavy Duty Flat Ceiling Plate

Model: MOD-CPF
Max. Load Capacity: 170kg (374lbs)



- Installs to concrete ceiling or wood joist ceiling
- Heavy-duty design for large screens or back-to-back installations
- 40 x 25mm channel allows ample cable access or to run cables straight through centre of plate

Visit Peerless at www.peerless-av.co.uk



WARNING

- Do not begin to install your Peerless product until you have read and understood the instructions and warnings contained in this Installation Manual. If you have any questions regarding any of the instructions or warnings, please contact Peerless using the information on the back of this manual.
- This product should only be installed by someone of good mechanical aptitude, has experience with basic building construction and fully understands these instructions.
- Make sure that the supporting surface is in good condition and will safely support the combined load of the equipment and all attached hardware and components.
- Never exceed the Maximum Load Capacity on Page One.
- If mounting to wood stud or joist, make sure that mounting screws are anchored into the centre of the studs. Use of an "edge-to-edge" stud finder is highly recommended.
- If mounting to concrete, breeze block, brick or other masonry material, do not drill into mortar joints. Ensure screw and anchor are installed into solid areas of surface.
- Always use an assistant or mechanical lifting equipment to safely lift and position equipment.
- Tighten screws firmly, but do not overtighten. Overtightening can damage the screws, greatly reducing their holding power.
- This product is intended for indoor use only. Use of this product outdoors could lead to product failure and personal injury.
- This product was designed to be installed on the following surfaces only:

CEILING CONSTRUCTION HARDWARE

- Concrete Included
- Wood joist Included
- Other surfaces See Accessories or contact Peerless

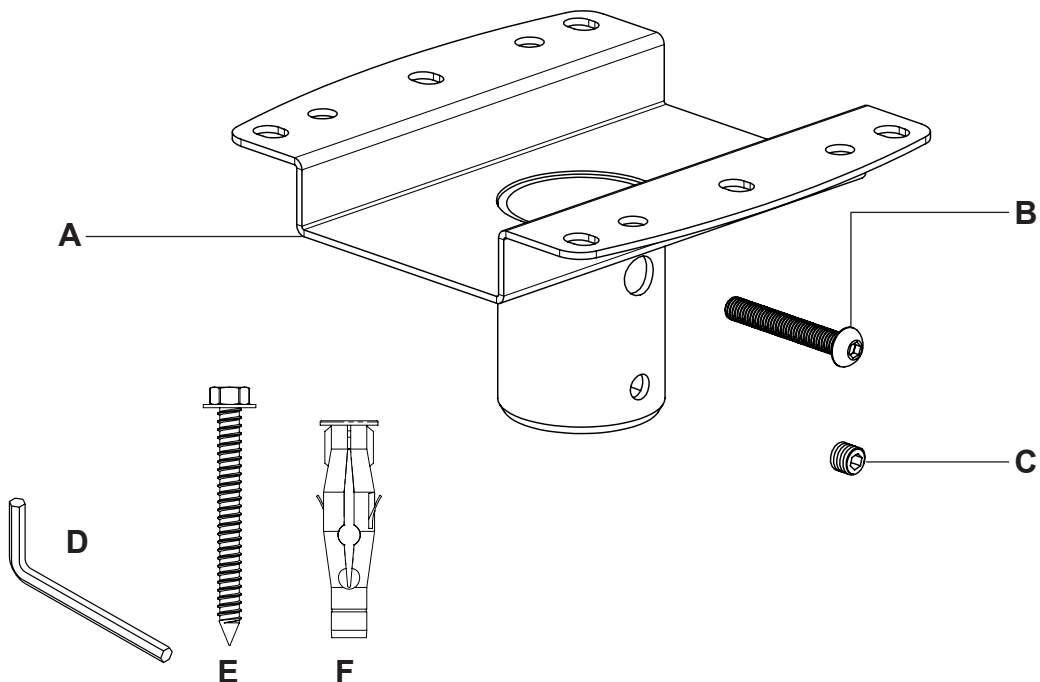
Accessories

MOD-AUB U-bolt Accessory for truss, pipe, Unistrut®, etc. 40-85mm.

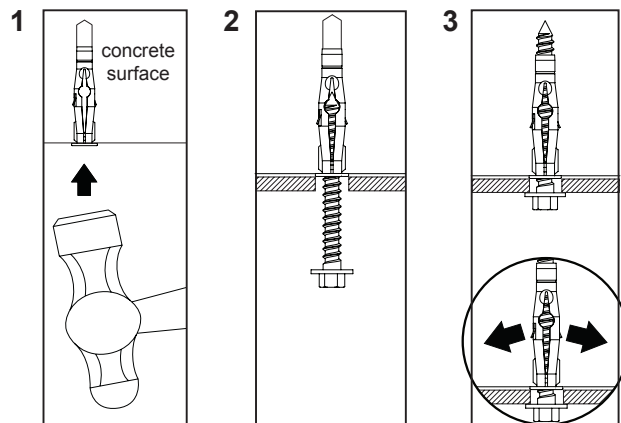
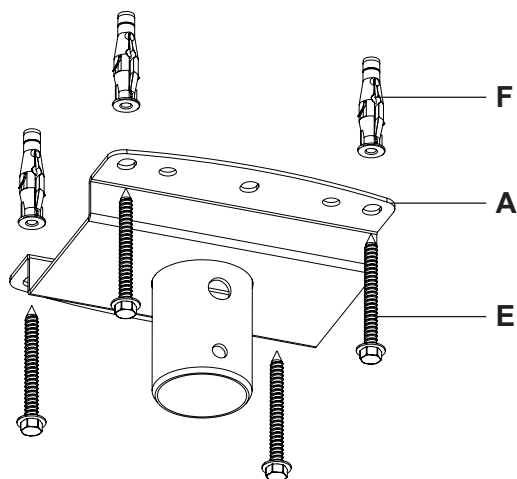
Tools Needed for Assembly

- Drill
- 10mm (3/8") masonry drill bit for concrete
- 5mm (7/32") drill bit for wood joist
- 11mm (7/16") socket wrench for wood screw
- Stud finder ("edge-to-edge" stud finder is recommended)

Parts List		Qty
MOD-CPF Heavy Duty Flat Ceiling Plate		
A	Heavy duty flat ceiling plate	1
B	M8 x 55mm socket button head screw	1
C	M10 x 10mm cone tip set screw	1
D	5mm (3/16") Allen wrench	1
E	8mm x 76mm wood screw	4
F	10mm concrete anchor	4

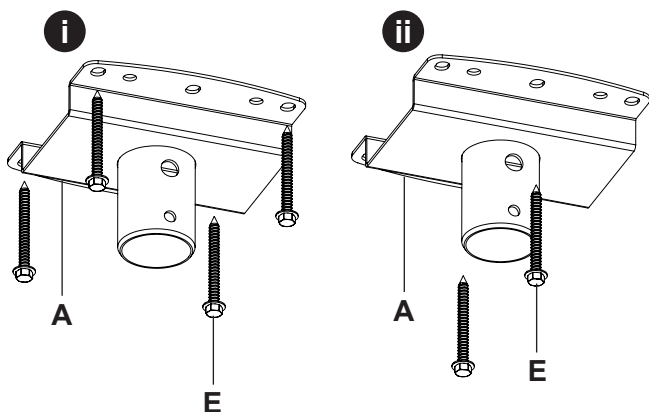


1a Installation to concrete ceiling



1. Use ceiling plate (A) as template to mark four hole centres.
2. Drill 10mm x 76mm holes where marked and insert concrete anchors (F).
3. Place ceiling plate (A) over anchors (F) and secure with screws (E).
4. Tighten all screws.

1b Installation to wood joist ceiling



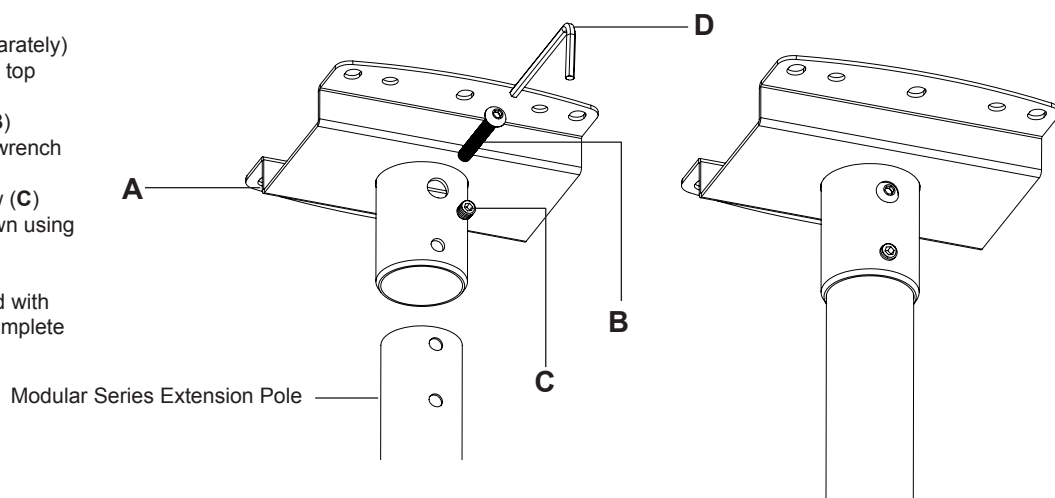
- i. For installation to two wood joists on 150mm centres, or other wood surfaces capable of supporting mounting holes in 150mm square pattern.
- ii. For single wood joist installation. Mounting holes are 150mm apart.

1. Using a stud finder, locate and mark the edges of the wood joist to be used in mounting this product.
2. Use the ceiling plate (A) as template to mark the centres of holes along the middle of the joist as shown.
3. Drill 5mm x 76mm holes.
4. Attach ceiling plate (A) to ceiling using wood screws (E) as shown.
5. Tighten all screws.

2 Attaching extension pole to the Heavy Duty Flat Ceiling Plate

1. Slide extension pole (sold separately) into Ceiling Plate (A), lining up top holes.
2. Fasten 8mm x 55mm screw (B) through top holes using Allen wrench (D).
3. Fasten M10 x 10mm set screw (C) into lower tapped hole as shown using Allen wrench (D).

Follow instruction manual(s) located with your other mount components to complete assembly.





Peerless-AV UK

Unit 3 Watford Interchange, Colonial Way, Watford, Herts WD24 4WP,
United Kingdom

Tel: +44 (0)1923 200 100
Fax: +44 (0)1923 200 101
Email: info@peerless-av.co.uk
Web: www.peerless-av.co.uk

BBG Distribution Ltd, trading as Peerless-AV UK



Peerless-AV Europe

Unit 3 Watford Interchange, Colonial Way, Watford, Herts WD24 4WP,
United Kingdom

Tel: +44 (0)1923 200 100
Fax: +44 (0)1923 200 101
Email: info@peerless-av.eu.com
Web: www.peerless-av.eu.com

BBG Distribution Ltd, trading as Peerless-AV Europe

peerless®